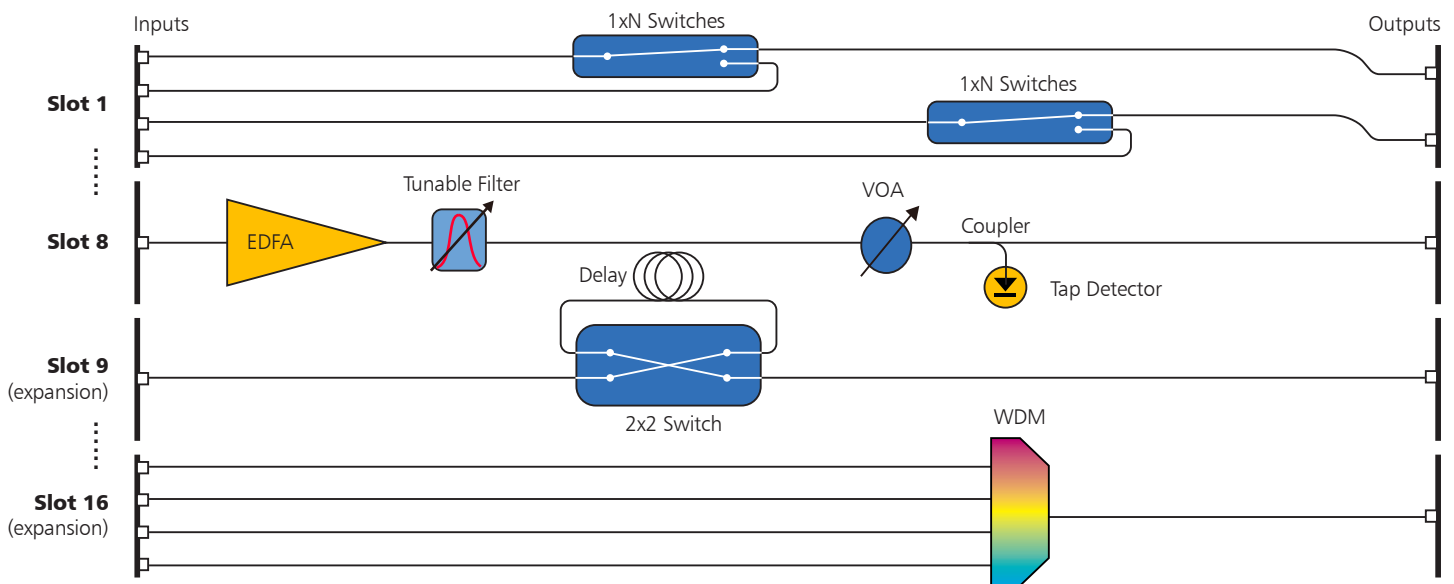


GP850 GENERAL PURPOSE EXPANDABLE TEST PLATFORM

DiCon's GP850 is a flexible, modular rackmount system designed to automate fiber optic testing. Up to eight plug-and-play slot cards containing various devices such as switches, VOAs, tunable filters, etc. can be added or changed as test requirements change. The devices on and configuration of the slot cards can also be customized. An additional expansion chassis can increase the total slots to sixteen. Full control is simple and intuitive through a single interface.



FEATURES

- Plug and play modularity
- Full control via a single interface
- Wide selection of optical devices and slot cards

APPLICATIONS

- Test & Measurement
- Fiber Monitoring
- Commercial & Defense Networks



1689 Regatta Blvd.
Richmond, CA 94804
(510) 620-5200
www.diconfiberoptics.com

Commercial Business
sales@diconfiberoptics.com
US Government Business
sales@diconusa.com

GP850 EXPANDABLE TEST PLATFORM

OPTICAL SPECIFICATIONS

PARAMETER	RATING
Optical devices on slot card	Switch, VOA, tunable filter, WDM, detector, transceiver, optical amplifier, laser, fiber delay, and more
Operating wavelength (nm)	780 – 2300, other
Fiber type	SMF-28, OM4, Panda, other

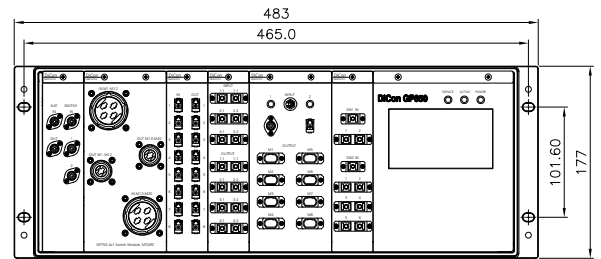
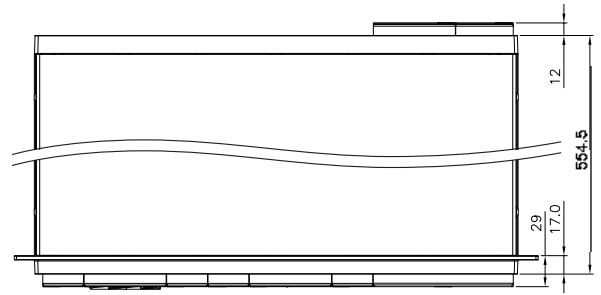
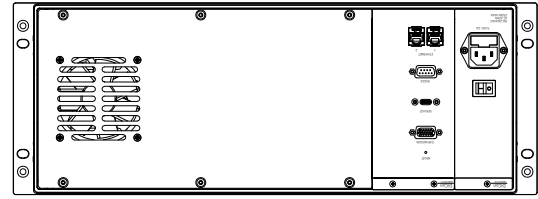
CHASSIS SPECIFICATIONS

PARAMETER	RATING
Maximum number of slot cards	8 16 total with expansion chassis
Control Interfaces	Dual Gigabit Ethernet (RJ45 Female) RS-232 (DB9 Female)
Power Supply (Voltage AC)	90 – 264
Software Interface	REST API, Web GUI, Serial, SSH, Telnet
Chassis Dimensions (mm/WxHxD)	4U Extended 483 x 177 x 554.5
Operating temperature (°C)	0 to 50
Storage temperature (°C)	-20 to 60
Environment Relative Humidity (%)	0 to 80 non-condensing
Fiber connectors	LC, FC, MTP, other

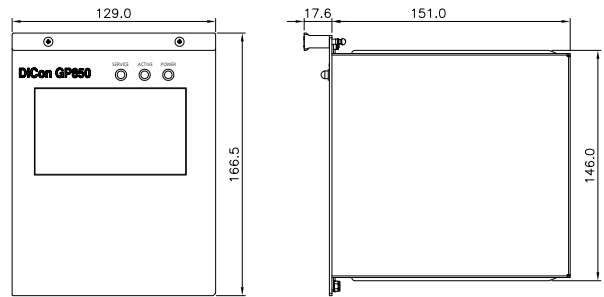
* Please contact DiCon Fiberoptics to discuss any special requirements not defined above.

MECHANICAL SPECIFICATIONS

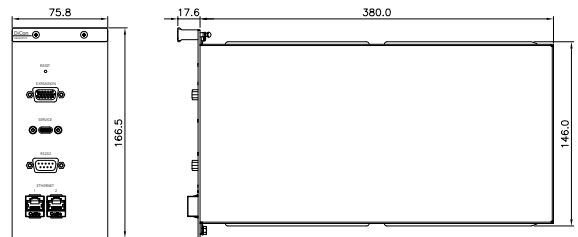
Dimensions in mm



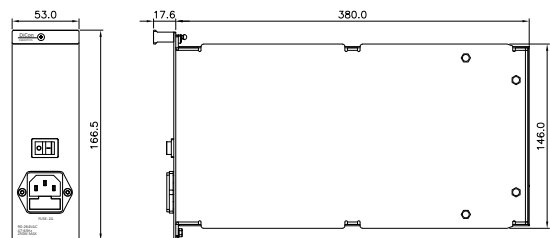
Display Unit



Control Unit



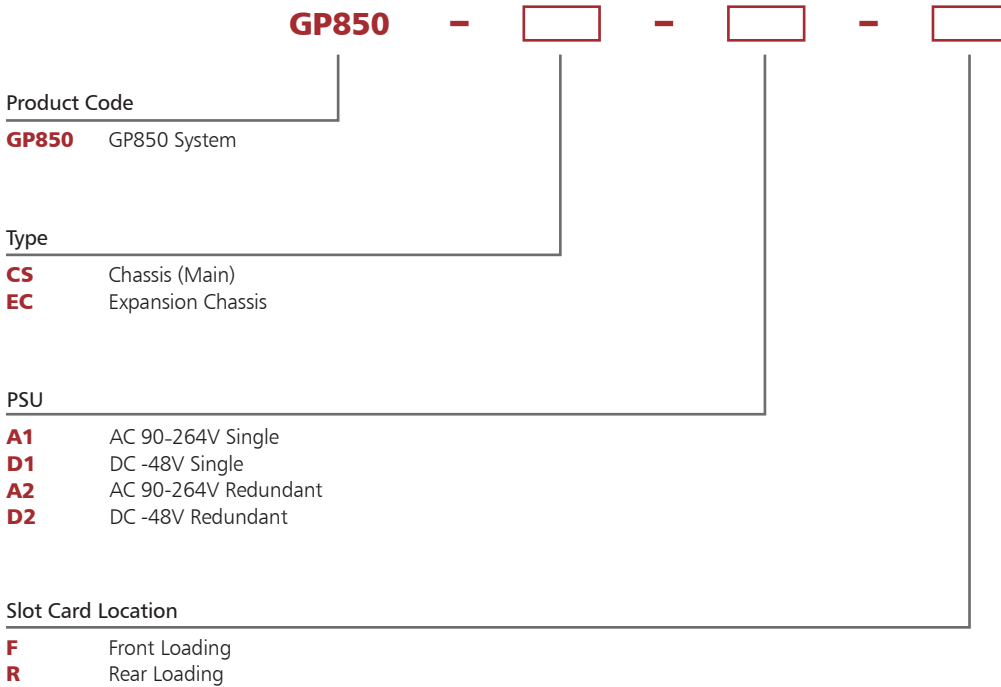
Power Unit



GP850 EXPANDABLE TEST PLATFORM

ORDERING INFORMATION

CHASSIS



Sample Order

For a front loading GP850 system containing two 1x24 switches and one 16x8 3D matrix switch, the following would need to be ordered:

Qty 1 of GP850 Chassis

P/N: GP850-CS-A1-F

Qty 2 of GP850 1x24 Switch Module

P/N: GP850-SL-M-2/1x24-2S-P-9-C-0-FC-N

Qty 1 of GP850 16x8 3D Matrix Switch Module

P/N: GP850-SL-X-1/16x8-2S-N-9-C-N-FC-N

